

Marine Propulsion and Onboard Drive Testing

Proven Testing Excellence
for Reliable Marine Systems



With ATESTEO, you can reach the next charging station safely.

Validated efficiency, durability, and reliability of your propulsion systems on the test bench – before the boat sets sail.

ATESTEO brings proven drivetrain, e-drive, and heavy-duty testing expertise to the maritime world. We test marine propulsion systems and onboard drives individually, quickly, flexibly, and cost-effectively – on the test bench, reproducibly, and independent of water conditions.

Customer Benefits

- Custom testing tailored to your requirements
- Faster results through accelerated durability testing
- Cost-effective thanks to reproducible test bench procedures
- Flexible for conventional, hybrid, and electric systems
- Test bench advantage: no distortions from water turbulence or battery limitations

Measurement & Safety

- High-precision torque, power, and efficiency measurement
- Custom-designed measurement shafts for marine and heavy-duty applications
- DAkkS-accredited calibration and audit-ready measurement chains
- Flexible for conventional, hybrid, and electric systems
- Reproducible, comparable data across all development stages



Excellence in drivetrain testing

Outboard Drives (Motor & Battery)

- Gearbox durability tests (e.g., 1,050 h, customer-defined)
- Endurance tests at power above rated motor output to shorten test duration
- Electric endurance tests measuring RPM, temperature, and efficiency
- Noise (NVH) testing for product optimization and competitor comparisons
- Capable of testing Z-Drive gearboxes

Ship Shafts & Structural Load Testing

- Load and endurance testing for ship shafts
- Reproducible test conditions for safe design validation

Inboard & High-Power Drives

- Efficiency measurements and durability testing
- Test bench power up to 1.2 MW, with potential up to 2–3 MW

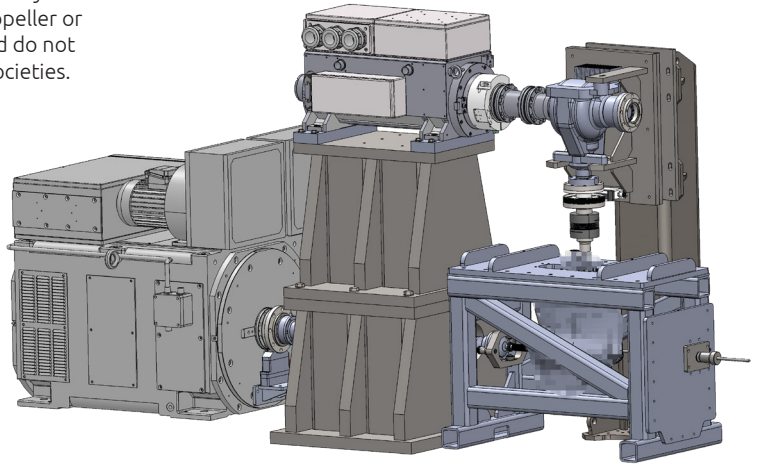
Onboard Electric Auxiliary Drives

- Winches: efficiency, endurance, and load tests
- Anchor winches: functional, load, and endurance testing

Clear Focus

ATESTEO tests propulsion systems, gearboxes, shafts, and electric auxiliary drives.

We do not perform propeller or hydrodynamic tests and do not replace classification societies.



Please reach out to obtain more information about marine propulsion services at ATESTEO!



+49 2404 9870-240



www.atesteo.com



bernd.leonhardt@atesteo.com

 **ATESTEO**

Excellence in drivetrain testing